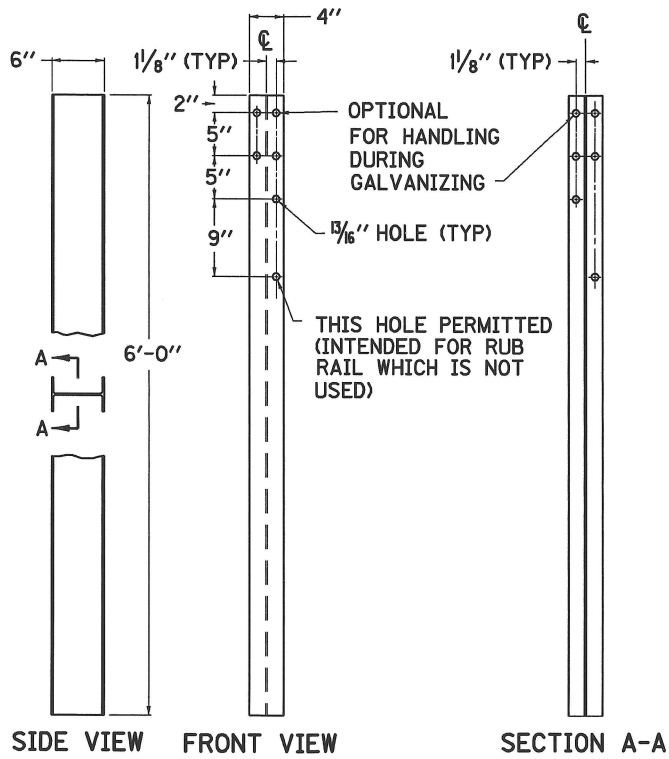
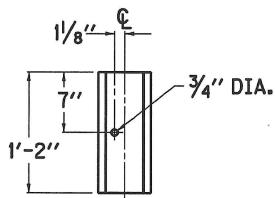


Addendum No. 1
City of Corbin
Southeast Regional Business Park
Grace Clinic Access Road – Contract 13
Knox County, KY
January 12, 2017

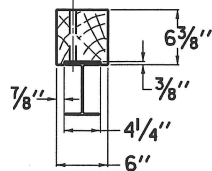
1. KRS 12.020 has been amended in accordance with the provisions of 17 RS BR 449 on January 9, 2017. Accordingly, the provisions of these specifications requiring the contractor to use State Prevailing Wage Rates are no longer applicable and these wage rates do not apply to this contract. Federal (Davis-Bacon) Wage Rates are still applicable.
2. The attached Guardrail Steel Post Detail can be used as an alternative to the Guardrail Timber Post Detail.



~ W6 X 9.0 STEEL POST ① ~

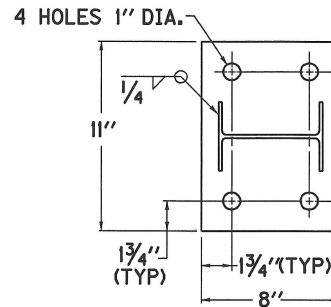


REAR ELEVATION

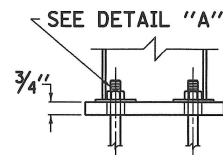


PLAN VIEW

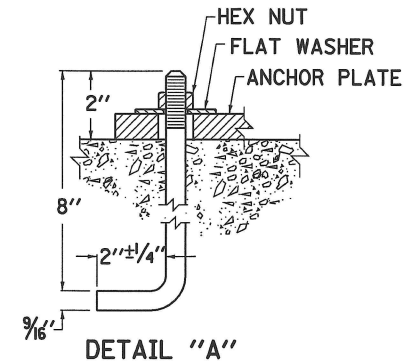
OFFSET BLOCK TYPE 4
(TIMBER)
(FOR USE WITH STEEL POST ONLY)



PLAN VIEW



SIDE VIEW
ANCHOR PLATE



USE WITH CUR. STD. DWG. RBR-016

KENTUCKY
DEPARTMENT OF HIGHWAYS

GUARDRAIL POSTS

STANDARD DRAWING NO. RBR-015-04

SUBMITTED *John B. Aschbacher* 12-1-99
DIRECTOR DIVISION OF DESIGN DATE
APPROVED *F. M. [Signature]* 12-1-99
STATE HIGHWAY ENGINEER DATE

~ NOTES ~
① W6 X 8.5 IS AN ACCEPTABLE ALTERNATE.